



KABELBAUM STEUERUNG UNIT 0 LACED WIRING HARNESS STEERING UNIT 0

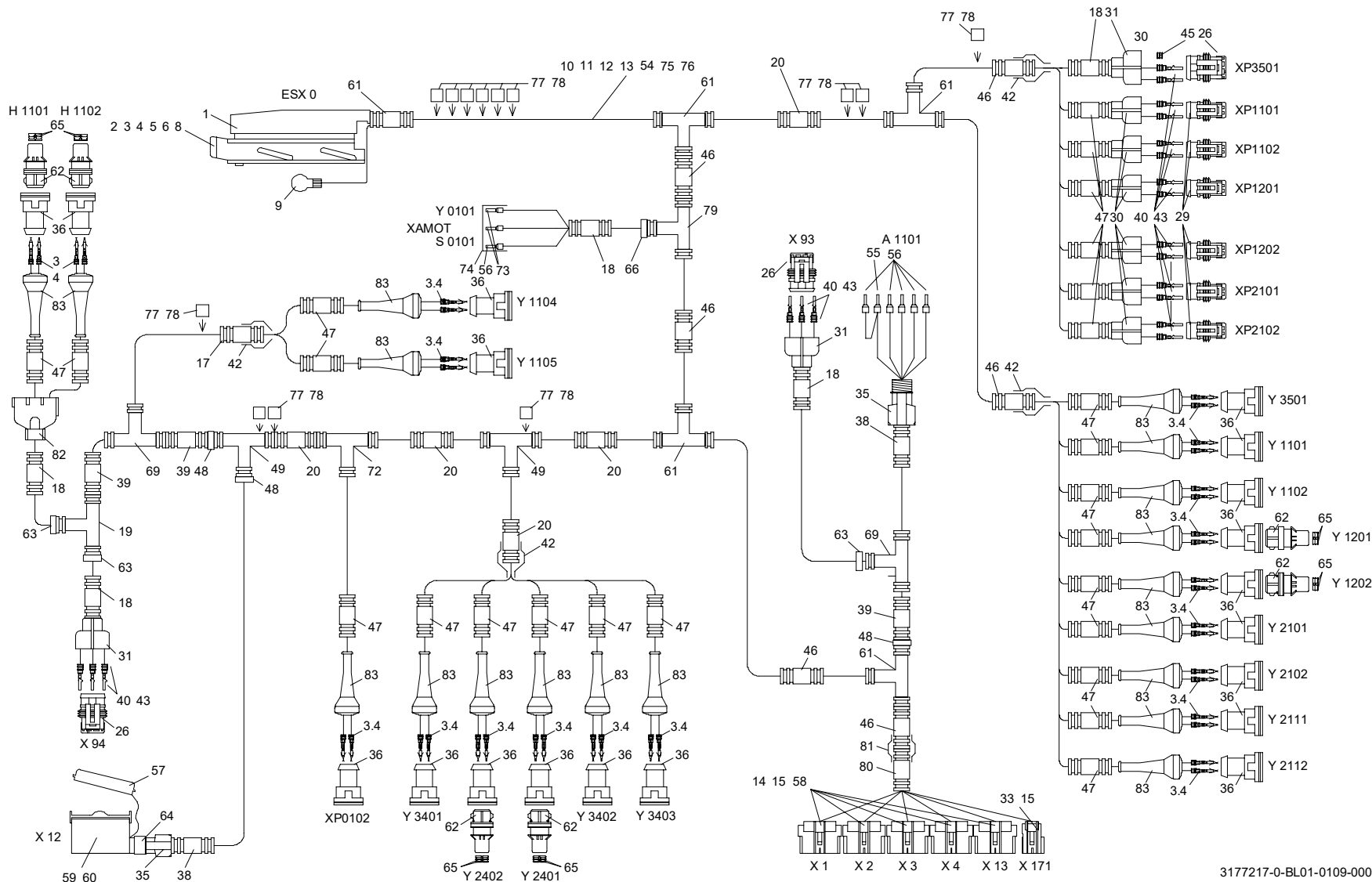
BILDTAFEL PICTORIAL DISPLAY

01.09

3177217-ETL #

1/4

**GMK 5170
BE 600
G 806**





KABELBAUM STEUERUNG UNIT 0 LACED WIRING HARNESS STEERING UNIT 0

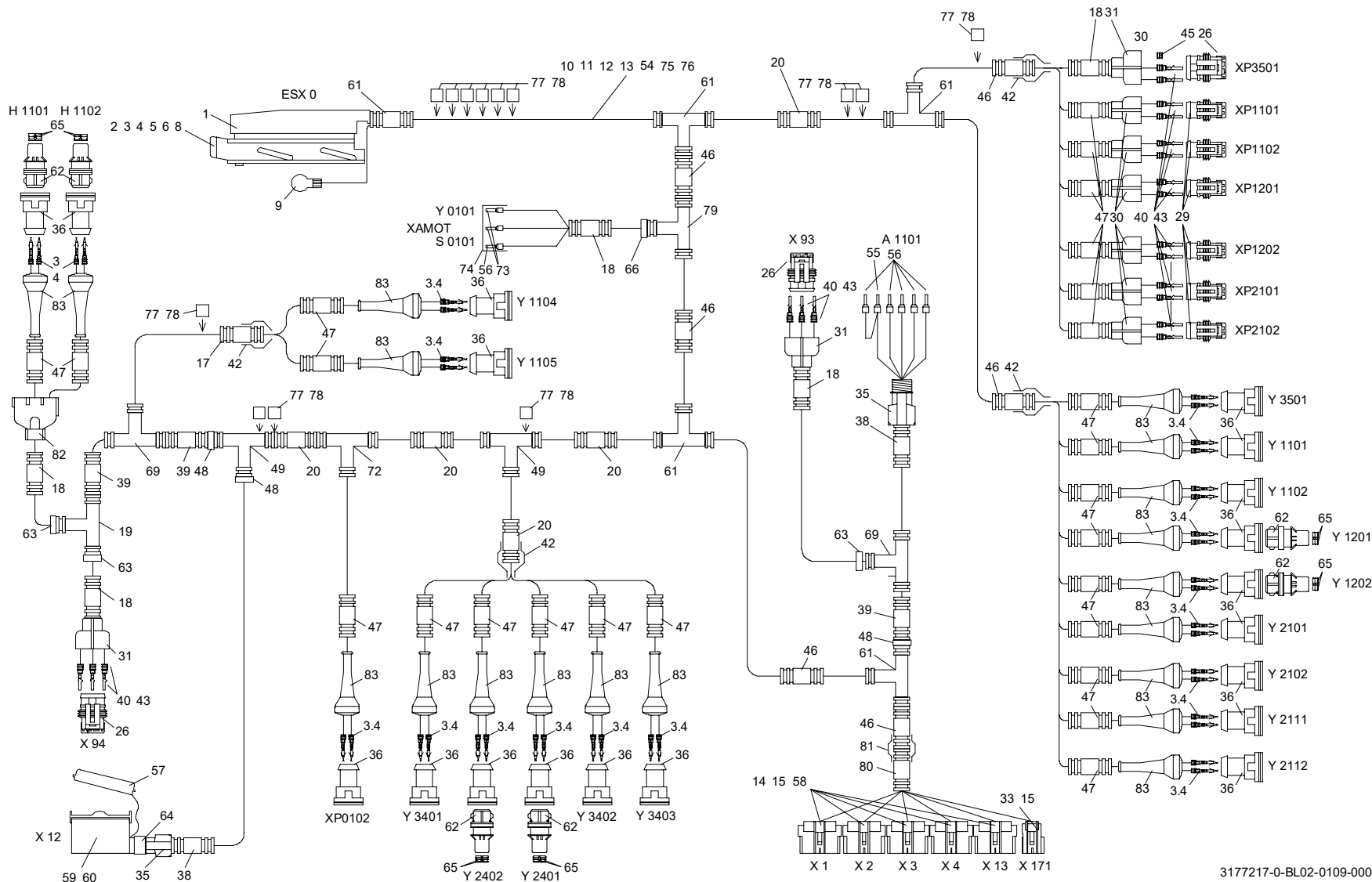
BILDТАFEL PICTORIAL DISPLAY

01.09

3177217-ETL #

2/4

**GMK 5170
BE 600
G 806**



GROVE
KABELBAUM STEUERUNG UNIT 0
LACED WIRING HARNESS STEERING UNIT 0
BILDTAFEL
PICTORIAL DISPLAY

01.09

3177217-ETL #

3/4

GMK 5170
BE 600
G 806

Lfd. Nr.	Querschn. wire size mm ²	Farbe colour	Länge length mm	Info	Stecker plug	Pin		Stecker plug	Pin
1	0.5	BN	5050	AGND	X2	1	↔	ESX 0	1
2									
3									
4	0.5	WH	4400	Y1205(Harting)	X12	9	↔	ESX 0	2
5	0.5	WH	5050	K 3501	X4	6	↔	ESX 0	3
6	0.5	WH	5050	RxD	X2	11	↔	ESX 0	4
7	0.5	WH	5050	TxD	X2	12	↔	ESX 0	5
8	0.5	WH	5050	IN 3503a (= 37)	X2	6	↔	ESX 0	6
9	0.5	WH	5050	IN 3709	X4	7	↔	ESX 0	7
10	0.5	WH	5050	OUT 0102	X13	11	↔	ESX 0	8
11	0.5	WH	5050	IN 3540	X1	11	↔	ESX 0	9
12									
13									
14	0.5	WH	9200		A1101	7	↔	ESX 0	12
15	0.5	WH	5050	IN 3503 (= 37)	X2	7	↔	ESX 0	13
16	0.5	WH	9200		A1101	4	↔	ESX 0	14
17	0.5	WH	4400	A1201(Harting)	X12	4	↔	ESX 0	15
18	0.5	WH	1930	S 1102 P	XP1102	2	↔	ESX 0	16
19	0.5	WH	1930	S 1202 P	XP1202	2	↔	ESX 0	17
20	0.5	WH	1930	S 2102 P	XP2102	2	↔	ESX 0	18
21	0.5	WH	4400	A1201(Harting)	X12	10	↔	ESX 0	19
22	0.5	WH	5050	K 1102	X2	4	↔	ESX 0	20
23	0.5	WH	5050	K 1202	X3	15	↔	ESX 0	21
24	0.5	WH	210	VCC perm		1	→	ESX 0	22
25	0.5	WH	4840		X3	1	↔		
26	0.5	WH	1390			2	↔		
27	0.5	WH	330	S 1101 P	XP1101	1	↔		
28	0.5	WH	330	S 1102 P	XP1102	1	↔		
29	0.5	WH	330	S 1201 P	XP1201	1	↔		
30	0.5	WH	330	S 1202 P	XP1202	1	↔		
31	0.5	WH	330	S 2101 P	XP2101	1	↔		
32	0.5	WH	330	S 2102 P	XP2102	1	↔		
33	0.5	WH	330	IN 3501 P	XP3501	1	↔		
34	0.5	WH	8990		A1101	1	↔		
35	0.5	WH	50		A1101	5	↔		
36									
37									
38	0.5	WH	4190	A1201(Harting)	X12	1	↔		
39									
40									

Lfd. Nr.	Querschn. wire size mm ²	Farbe colour	Länge length mm	Info	Stecker plug	Pin		Stecker plug	Pin
44	0.5	WH	5050	8,5 V	X1	8	↔	ESX 0	23
45	0.5	WH	4600	Y1204(Harting)	X12	8	↔	ESX 0	24
46	0.5	WH	5050	K 3510	X4	5	↔	ESX 0	25
47	0.5	GN	240	CAN LOW			↔	ESX 0	26
48	0.5	GN	4810		X 171	2	↔		
49	0.5	GN	4810		X 171	4	↔		
50	0.5	YE	4780		X 171	1	↔		
51	0.5	YE	4780		X 171	3	↔		
52	0.5	YE	270	CAN HIGH			↔	ESX 0	27
53	0.5	WH	5050	D +	X1	7	↔	ESX 0	28
54	0.5	WH	5050	IN 2403	X3	6	↔	ESX 0	29
55	0.5	WH	5050	OUT 0101	X13	4	↔	ESX 0	30
56	0.5	WH	1930	IN 3501 P	XP3501	2	↔	ESX 0	31
57	0.5	WH	5050	IN 3541	X1	12	↔	ESX 0	32
58									
59									
60									
61	0.5	WH	5050	IN 3504	X3	12	↔	ESX 0	34
62	0.5	WH	4400	A1201(Harting)	X12	5	↔	ESX 0	35
63	0.5	WH	9200		A1101	3	↔	ESX 0	36
64	0.5	WH	4400	A1201(Harting)	X12	3	↔	ESX 0	37
65	0.5	WH	1930	S 1101 P	XP1101	2	↔	ESX 0	38
66	0.5	WH	1930	S 1201 P	XP1201	2	↔	ESX 0	39
67	0.5	WH	1930	S 2101 P	XP2101	2	↔	ESX 0	40
68	0.5	WH	5050	IN 3505	X 13	8	↔	ESX 0	41
69	0.5	WH	5050	K 1101	X2	3	↔	ESX 0	42
70	0.5	WH	5050	K 1201	X3	14	↔	ESX 0	43
71	0.5	WH	5050	K 0106	X4	14	↔	ESX 0	44
72									
73	0.5	WH	5050	OUT1100	X2	10	↔	ESX 0	46
74	0.5	WH	5050	OUT1200	X3	10	↔	ESX 0	47
75	0.5	WH	5050	OUT2100	X4	1	↔	ESX 0	48
76	0.5	WH	5050	OUT2110	X4	2	↔	ESX 0	49
77	0.5	GN	300	CAN LOW			↔	ESX 0	33
78	0.5	GN	4750		X 171	6	↔		
79	0.5	GN	4750		X 171	8	↔		
80	0.5	YE	4720		X 171	5	↔		
81	0.5	YE	4720		X 171	7	↔		
82	0.5	YE	330	CAN HIGH			↔	ESX 0	53
83	0.5	WH	5050	UE	X1	6	↔	ESX 0	54

Lfd. Nr.	Querschn. wire size mm ²	Farbe colour	Länge length mm	Info	Stecker plug	Pin		Stecker plug	Pin
84	0.5	BN	180	DGND			↔	ESX 0	55
85	0.5	BN	4870		X1	10	↔		
86	0.5	BN	9020		A1101	2	↔		
87	1.0	WH	5050	+ 24 V	X1	1	↔	ESX 0	56
88	1.0	WH	5050	+ 24 V	X1	2	↔	ESX 0	57
89	1.0	WH	5050	+ 24 V	X1	3	↔	ESX 0	58
90	1.0	WH	5050	+ 24 V	X1	4	↔	ESX 0	59
91	1.0	WH	5050	+ 24 V	X1	5	↔	ESX 0	60
92	0.5	BN	1845		Y3501	1	↔	ESX 0	61
93									
94	0.5	WH	4345		Y1104	1	↔	ESX 0	62
95									
96	0.5	WH	4345		Y1105	1	↔	ESX 0	63
97									
98	0.5	BN	2645		Y3403	1	↔	ESX 0	64
99									

GROVE
KABELBAUM STEUERUNG UNIT 0
LACED WIRING HARNESS STEERING UNIT 0
BILDTAFEL
PICTORIAL DISPLAY

01.09

3177217-ETL #

4/4

GMK 5170
BE 600
G 806

Leit. Nr.	Querschn. wire size mm ²	Farbe colour	Länge length mm	Info	Stecker plug	Pin	Stecker plug	Pin
1	1.0	BN	5150		X1	13	↔	MASSE GH
2								
3	0.5	WH	6195		X2	2	↔	Y1101 1
4								
5	0.5	WH	6195		X2	13	↔	Y1102 1
6								
7	0.5	WH	6195		X3	2	↔	Y1201 1
8								
9	1.0	WH	6830		X3	3	↔	X93 3
10	1.0	WH	7880				↔	X94 3
11								
12	1.0	WH	6830		X3	4	↔	X93 1
13	1.0	WH	7880				↔	X94 1
14	0.5	WH	6150	S0102P	X3	5	↔	XP0102 1
15								
16	1.0	BN	6830		X3	7	↔	X93 2
17								
18	1.0	BN	7880		X3	8	↔	X94 2
19								
20	0.5	WH	6150	S0102P	X3	9	↔	XP0102 2
21								
22	0.5	WH	6195		X3	13	↔	Y1202 1
23								
24	0.5	WH	6195		X4	3	↔	Y2101 1
25								
26	0.5	WH	6195		X4	4	↔	Y2102 1
27								
28	0.5	WH	6195		X4	8	↔	Y2111 1
29								
30	0.5	WH	6195		X4	9	↔	Y2112 1
31								
32	0.5	WH	5795		X4	10	↔	Y2401 1
33								
34	0.5	WH	5795		X4	11	↔	Y2402 1
35								
36	0.5	WH	5795		X4	13	↔	Y3401 1
37								
38	0.5	WH	5795		X4	12	↔	Y3402 1
39								

Leit. Nr.	Querschn. wire size mm ²	Farbe colour	Länge length mm	Info	Stecker plug	Pin	Stecker plug	Pin
40	1.0	WH	6900		X2	8	↔	23
41	1.0	WH	650	A1201			↔	X12 6
42	1.0	WH	2395				↔	H 1101 1
43	1.0	WH	1995				↔	H 1102 1
44								
45	2.5	BN	5500		X1	14	↔	18
46	0.5	BN	695				↔	Y1101 2
47	0.5	BN	695				↔	Y1102 2
48	0.5	BN	695				↔	Y1201 2
49	0.5	BN	695				↔	Y1202 2
50	0.5	BN	695				↔	Y3501 2
51								
52	0.5	BN	5795		X2	14	↔	Y3403 2
53								
54								
55	2.5	BN	5450		X1	15	↔	20
56	0.5	BN	745				↔	Y2101 2
57	0.5	BN	745				↔	Y2102 2
58	0.5	BN	745				↔	Y2111 2
59	0.5	BN	745				↔	Y2112 2
60								
61	2.5	BN	5200		X4	15	↔	21
62	0.5	BN	595				↔	Y2401 2
63	0.5	BN	595				↔	Y2402 2
64	0.5	BN	595				↔	Y3401 2
65	0.5	BN	595				↔	Y3402 2
66	1.0	BN	2000				↔	22
67	0.5	BN	295				↔	Y1104 2
68	0.5	BN	295				↔	Y1105 2
69								
70	2.5	BN	6850	A1201	X2	15	↔	24
71	1.0	BN	700	Y1204/5 (Harting)			↔	X12 2
72	1.0	BN	50				↔	X12 7
73	1.0	BN	2445				↔	H 1101 2
74	1.0	BN	2045				↔	H 1102 2
75								
76	0.5	WH	7850		XAMOT	3	↔	X13 13
77	2.5	WH	7850		XAMOT	1	↔	X13 14
78	2.5	BN	7850		XAMOT	2	↔	X13 15